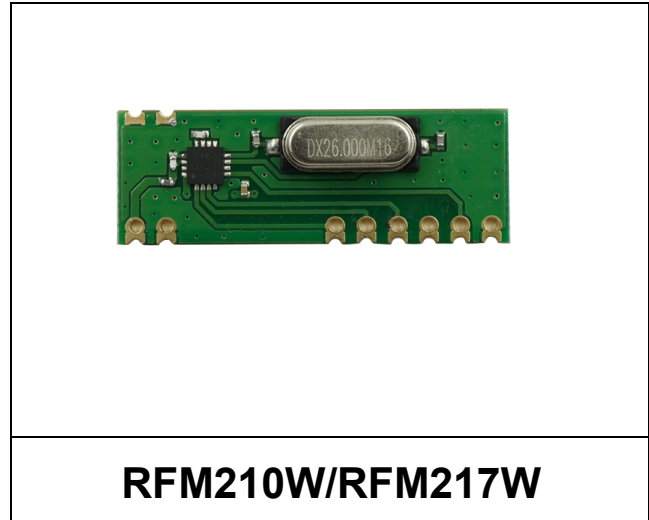


### Features

- Embedded EEPROM
  - Very Easy Development with RFPDK
  - All Features Programmable
- Frequency Range:
  - 300 to 480 MHz (RFM210W)
  - 300 to 960 MHz (RFM217W)
- Symbol Rate: 0.1 to 40 kbps
- Sensitivity: -108 dBm at 1 kbps, 0.1% BER
- Configurable Receiver Bandwidth: 50 to 500 kHz
- 3-wire SPI Interface for EEPROM Programming
- Stand-Alone, No External MCU Control Required
- Configurable Duty-Cycle Operation Mode
- Supply Voltage: 1.8 to 3.6 V
- Low Power Consumption: 3.8 mA
- Low Sleep Current
  - 60 nA when Sleep Timer Off
  - 440 nA when Sleep Timer On
- RoHS Compliant
- Module Size: 32\*11\*5.0mm



### Descriptions

The RFM210W/RFM217W devices are ultra low power, high performance, low-cost OOK stand-alone RF receiver for various 300 to 960 MHz wireless applications. The RFM210W covers the frequency range from 300 to 480

MHz while the RFM217W covers the 300 to 960 MHz frequency range. They are part of the CMOSTEK NextGenRF™ family, which includes a complete line of transmitters, receivers and transceivers. An embedded EEPROM allows the frequency, symbol rate and other features to be programmed into the device using the CMOSTEK USB Programmer and RFPDK. Alternatively, in stock products of 433.92/868.35 MHz are available for immediate demands without the need of EEPROM programming. When the RFM210W/217 is always on, it

consumes only 3.8 mA current while achieving -108 dBm receiving sensitivity. It consumes even less power when working in duty-cycle operation mode via the built-in sleep timer. The RFM210W/RFM217W receiver together with the RFM11x transmitter enables an ultra low cost RF link.

### Applications

- Low-Cost Consumer Electronics Applications
- Home and Building Automation
- Infrared Receiver Replacements
- Industrial Monitoring and Controls
- Remote Automated Meter Reading
- Remote Lighting Control System
- Wireless Alarm and Security Systems
- Remote Keyless Entry (RKE)

## Abbreviations

Rev 1.0 | Page 1 / 20

Abbreviations used in this data sheet are described below

<b>AGC</b>	Automatic Gain Control	<b>PC</b>	Personal Computer
	Application Notes	<b>PCB</b>	Printed Circuit Board
	Bit Error Rate	<b>PLL</b>	Phase Lock Loop
<b>BOM</b>	Bill of Materials	<b>PN9</b>	Pseudorandom Noise 9
<b>BSC</b>	Basic Spacing between Centers	<b>POR</b>	Power On Reset
<b>BW</b>	Bandwidth	<b>PUP</b>	Power Up
<b>DC</b>	Direct Current	<b>QFN</b>	Quad Flat No-lead
<b>EEPROM</b>	Electrically Erasable Programmable Read-Only Memory	<b>RF</b>	Radio Frequency
		<b>RFPDK</b>	RF Products Development Kit
<b>ESD</b>	Electro-Static Discharge	<b>RoHS</b>	Restriction of Hazardous Substances
<b>ESR</b>	Equivalent Series Resistance	<b>RSSI</b>	Received Signal Strength Indicator
<b>Ext</b>	Extended	<b>Rx</b>	Receiving, Receiver
<b>IF</b>	Intermediate Frequency	<b>SAR</b>	Successive Approximation Register
<b>LNA</b>	Low Noise Amplifier	<b>SPI</b>	Serial Port Interface
<b>LO</b>	Local Oscillator	<b>TH</b>	Threshold
<b>LPOSC</b>	Low Power Oscillator	<b>Tx</b>	Transmission, Transmitter
<b>Max</b>	Maximum	<b>Typ</b>	Typical
<b>MCU</b>	Microcontroller Unit	<b>USB</b>	Universal Serial Bus
<b>Min</b>	Minimum	<b>VCO</b>	Voltage Controlled Oscillator
<b>MOQ</b>	Minimum Order Quantity	<b>WOR</b>	Wake On Radio
<b>NP0</b>	Negative-Positive-Zero	<b>XOSC</b>	Crystal Oscillator
<b>NC</b>	Not Connected	<b>XTAL/Xtal</b>	Crystal
<b>OOK</b>	On-Off Keying		

## Table of Contents

<b>1. Electrical Characteristics</b> .....	<b>4</b>
1.1 Recommended Operation Conditions .....	4
1.2 Absolute Maximum Ratings.....	4
1.3 Receiver Specifications .....	5
1.4 Crystal Oscillator .....	6
1.5 LPOSC .....	6
<b>2. Pin Descriptions</b> .....	<b>7</b>
<b>3. Typical Performance Characteristics</b> .....	<b>8</b>
<b>4. Typical Application Schematic</b> .....	<b>9</b>
<b>5. Functional Descriptions</b> .....	<b>10</b>
5.1 Overview .....	10
5.2 Modulation, Frequency and Symbol Rate .....	10
5.3 Embedded EEPROM and RFPDK .....	11
5.4 All Configurable Options .....	11
5.5 Internal Blocks Description.....	13
5.5.1 RF Front-end and AGC .....	13
5.5.2 IF Filter.....	13
5.5.3 RSSI .....	13
5.5.4 SAR ADC .....	13
5.5.5 Crystal Oscillator.....	13
5.5.6 Frequency Synthesizer .....	13
5.5.7 LPOSC.....	13
5.6 Operation Mode .....	14
5.7 Always Receive Mode.....	14
5.8 Duty-Cycle Receive Mode.....	16
5.9 Easy Duty-Cycle Configurations.....	17
<b>6. Ordering Information</b> .....	<b>18</b>
<b>7. Package Outline</b> .....	<b>19</b>
<b>8. Contact Information</b> .....	<b>20</b>

## 1. Electrical Characteristics

V<sub>DD</sub> = 3.3 V, T<sub>OP</sub> = 25 °C, F<sub>RF</sub> = 433.92 MHz, sensitivities are measured in receiving a PN9 sequence and matching to 50 Ω impedance, with the BER of 0.1%. All measurements are performed using the board RFM210W/RFM217W-EM V1.0, unless otherwise noted.

### 1.1 Recommended Operation Conditions

**Table 3. Recommended Operation Conditions**

Parameter	Symbol	Conditions	Min	Typ	Max	Unit
Operation Voltage Supply	V <sub>DD</sub>		1.8		3.6	V
Operation Temperature	T <sub>OP</sub>		-40		85	°C
Supply Voltage Slew Rate			1			mV/us

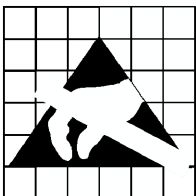
### 1.2 Absolute Maximum Ratings

**Table 4. Absolute Maximum Ratings<sup>[1]</sup>**

Parameter	Symbol	Conditions	Min	Max	Unit
Supply Voltage	V <sub>DD</sub>		-0.3	3.6	V
Interface Voltage	V <sub>IN</sub>		-0.3	V <sub>DD</sub> + 0.3	V
Junction Temperature	T <sub>J</sub>		-40	125	°C
Storage Temperature	T <sub>STG</sub>		-50	150	°C
Soldering Temperature	T <sub>SDR</sub>	Lasts at least 30 seconds		255	°C
ESD Rating <sup>[2]</sup>		Human Body Model (HBM)	-2	2	kV
Latch-up Current		@ 85 °C	-100	100	mA

**Notes:**

- [1]. Stresses above those listed as “absolute maximum ratings” may cause permanent damage to the device. This is a stress rating only and functional operation of the device under these conditions is not implied. Exposure to maximum rating conditions for extended periods may affect device reliability.
- [2]. The RFM210W/RFM217W is high-performance RF integrated circuits with VCON/P pins having an ESD rating < 2 kV HBM. Handling and assembly of this device should only be done at ESD-protected workstations.



**Caution!** ESD sensitive device. Precaution should be used when handling the device in order to prevent permanent damage.

**1.3 Receiver Specifications**
**Table 5. Receiver Specifications**

Parameter	Symbol	Conditions	Min	Typ	Max	Unit
Frequency Range	F <sub>RF</sub>	RFM210W	300		480	MHz
		RFM217W	300		960	MHz
Symbol Rate	SR		0.1		40	ksps
Sensitivity	S <sub>433.92</sub>	F <sub>RF</sub> = 433.92 MHz, SR = 1 ksps, BER = 0.1%		-108		dBm
	S <sub>868.35</sub>	F <sub>RF</sub> = 868.35 MHz, SR = 1 ksps, BER = 0.1%		-108		dBm
Saturation Input Signal Level	P <sub>LVL</sub>			10		dBm
Working Current	I <sub>DD</sub>	F <sub>RF</sub> = 433.92 MHz		3.8		mA
		F <sub>RF</sub> = 868.35 MHz		5.2		mA
Sleep Current	I <sub>SLEEP</sub>	When sleep timer is on		440		nA
		When sleep timer is off		60		nA
Frequency Resolution	F <sub>RES</sub>			24.8		Hz
Frequency Synthesizer Settle Time	T <sub>LOCK</sub>	From XOSC settled		150		us
Blocking Immunity	BI	SR = 1 ksps, ±1 MHz offset, CW interference		52		dB
		SR = 1 ksps, ±2 MHz offset, CW interference		74		dB
		SR = 1 ksps, ±10 MHz offset, CW interference		75		dB
Image Rejection Ratio	IMR	IF = 280 kHz		35		dB
Input 3 <sup>rd</sup> Order Intercept Point	IIP3	Two tone test at 1 MHz and 2 MHz offset frequency. Maximum system gain settings		-25		dBm
Receiver Bandwidth	BW		50		500	kHz
Receiver Start-up Time	T <sub>START-UP</sub>	From power up to receive, in Always Receive Mode		7.3		ms
Receiver Wake-up Time	T <sub>WAKE-UP</sub>	From sleep to receive, in Duty-Cycle Receive Mode		0.61		ms

## 1.4 Crystal Oscillator

**Table 6. Crystal Oscillator Specifications**

Parameter	Symbol	conditions	min	typ	max	unit
Crystal Frequency <sup>[1]</sup>	F <sub>XTAL</sub>		26	26	26	MHz
Crystal Tolerance <sup>[2]</sup>				±20		ppm
Load Capacitance	C <sub>LOAD</sub>		10	15	20	pF
Crystal ESR	R <sub>m</sub>				60	Ω
XTAL Startup Time <sup>[3]</sup>	t <sub>XTAL</sub>			400		us
Drive Level					100	uw
Aging Per Year				±2		ppm
<p><b>Notes:</b></p> <p>[1]. The RFM210WRFM217W can directly work with external 26 MHz reference clock input to XIN pin (a coupling capacitor is required)with peak-to-peak amplitude of 0.3 to 0.7 V.</p> <p>[2]. This is the total tolerance including (1) initial tolerance, (2) crystal loading, (3) aging, and (4) temperature dependence.The acceptable crystal tolerance depends on RF frequency and channel spacing/bandwidth.</p> <p>[3]. This parameter is to a large degree crystal dependent.</p>						

## 1.5 LPOSC

**Table 7. LPOSC Specifications**

Parameter	Symbol		Typ	Max	Unit
Calibrated Frequency <sup>[1]</sup>	F <sub>LPOSC</sub>		1		kHz
Frequency Accuracy		After calibration	1		%
Temperature Coefficient <sup>[2]</sup>			-0.02		%/°C
Supply Voltage Coefficient <sup>[3]</sup>			+0.5		%/V
Initial Calibration Time	t <sub>LPOSC-CAL</sub>		4		ms
<p><b>Notes:</b></p> <p>[1]. The LPOSC is automatically calibrated to the crystal oscillator during the PUP state, and is periodically calibrated since then.</p> <p>[2]. Frequency drifts when temperature changes after calibration.</p> <p>[3]. Frequency drifts when supply voltage changes after calibration.</p>					

## 2. Pin Descriptions

Rev 1.0 | Page 6 / 20

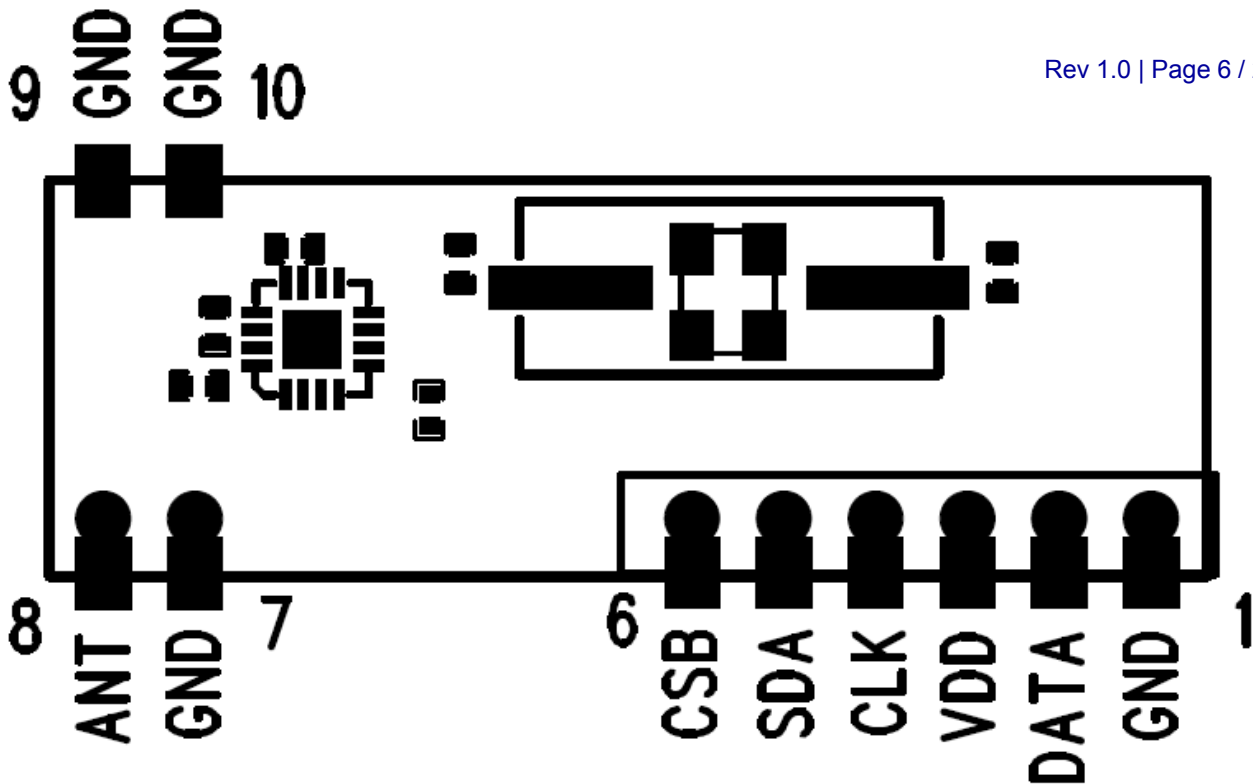
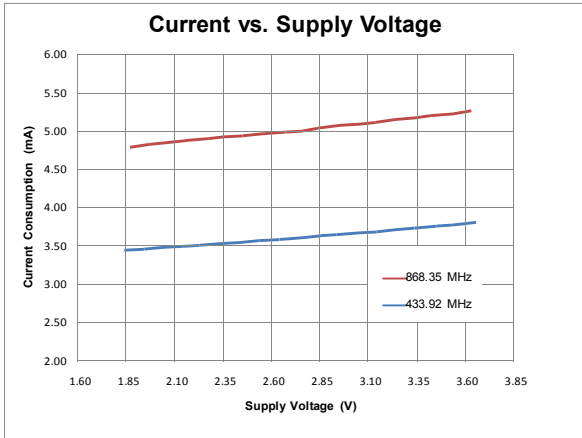


Figure 2. Pin Diagram

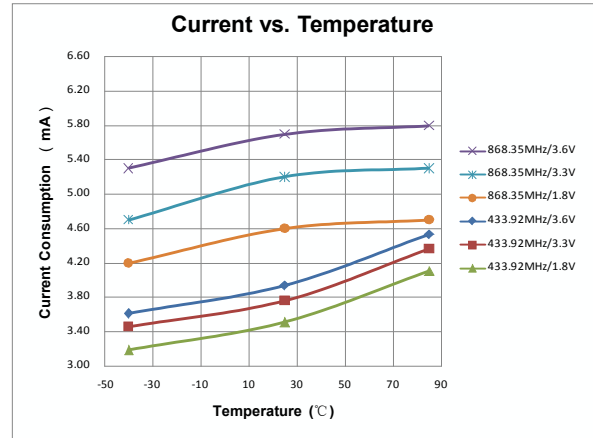
Table 6. RFM210W/RFM217W Pin Descriptions

Pin Number	Name	I/O	Descriptions
1	GND	I	Ground
2	DATA	O	Received data output
3	VDD	I	Power supply input
4	CLK	I	3-wire SPI clock input for EEPROM programming
5	SDA	I/O	3-wire SPI data input and output for EEPROM programming
6	CSB	I	3-wire SPI chip select input for EEPROM programming I
7	GND	I	Ground
8	ANT	I	RF signal input to the LNA
9	GND	I	Ground
10	GND	I	Ground

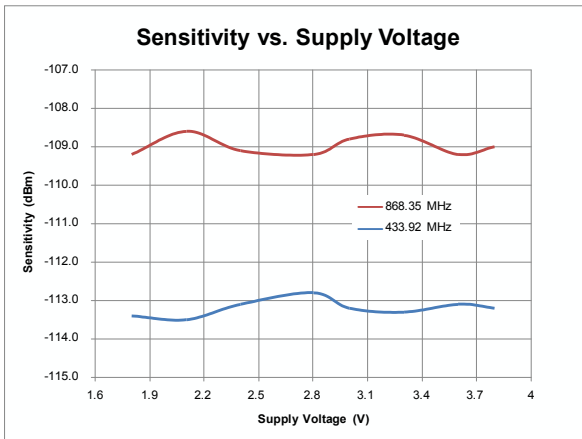
## 3. Typical Performance Characteristics



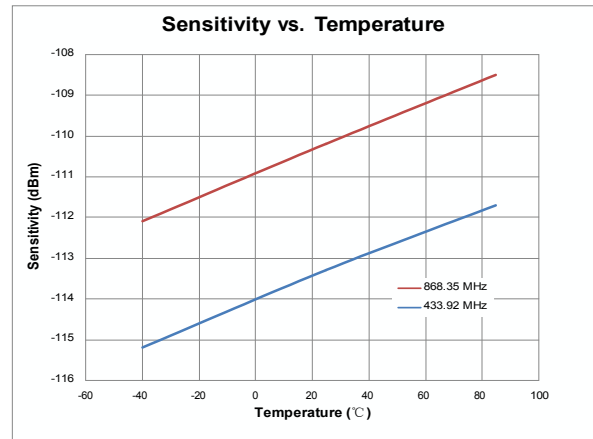
**Figure 4. Current vs. Voltage,  $F_{RF} = 433.92 / 868.35$  MHz, SR = 1 kbps**



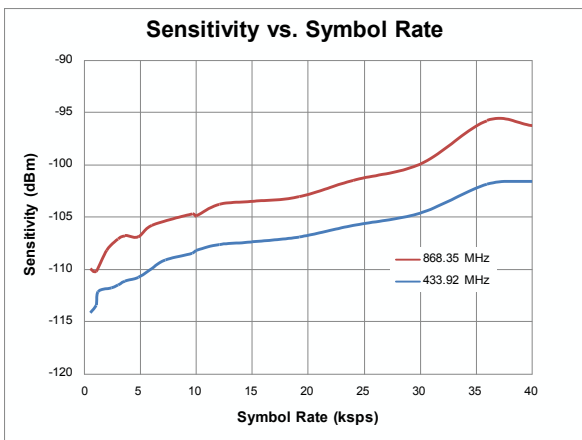
**Figure 3. Current vs. Temperature,  $F_{RF} = 433.92/868.35$  MHz, SR = 1 kbps**



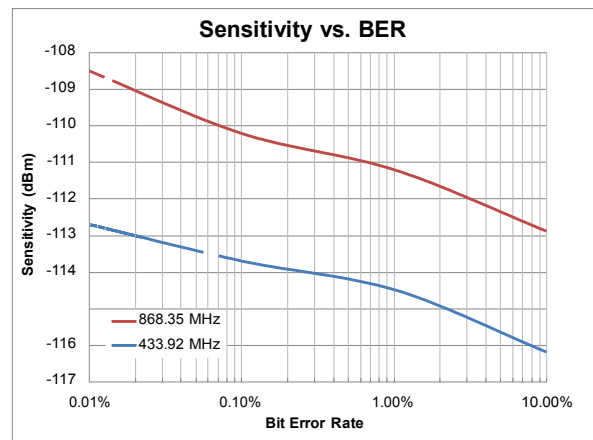
**Figure 6. Sensitivity vs. Supply Voltage, SR = 1 kbps, BER = 0.1%**



**Figure 5. Sensitivity vs. Temperature,  $F_{RF} = 433.92 / 868.35$  MHz, SR = 1 kbps, BER = 0.1%**



**Figure 7. Sensitivity vs. SR,  $F_{RF} = 433.92 / 868.35$  MHz,  $V_{DD} = 3.3$  V, BER = 0.1%**



**Figure 8. Sensitivity vs. BER,  $F_{RF} = 433.92 / 868.35$  MHz,  $V_{DD} = 3.3$  V, SR = 1 kbps**



## 4. Typical Application Schematic

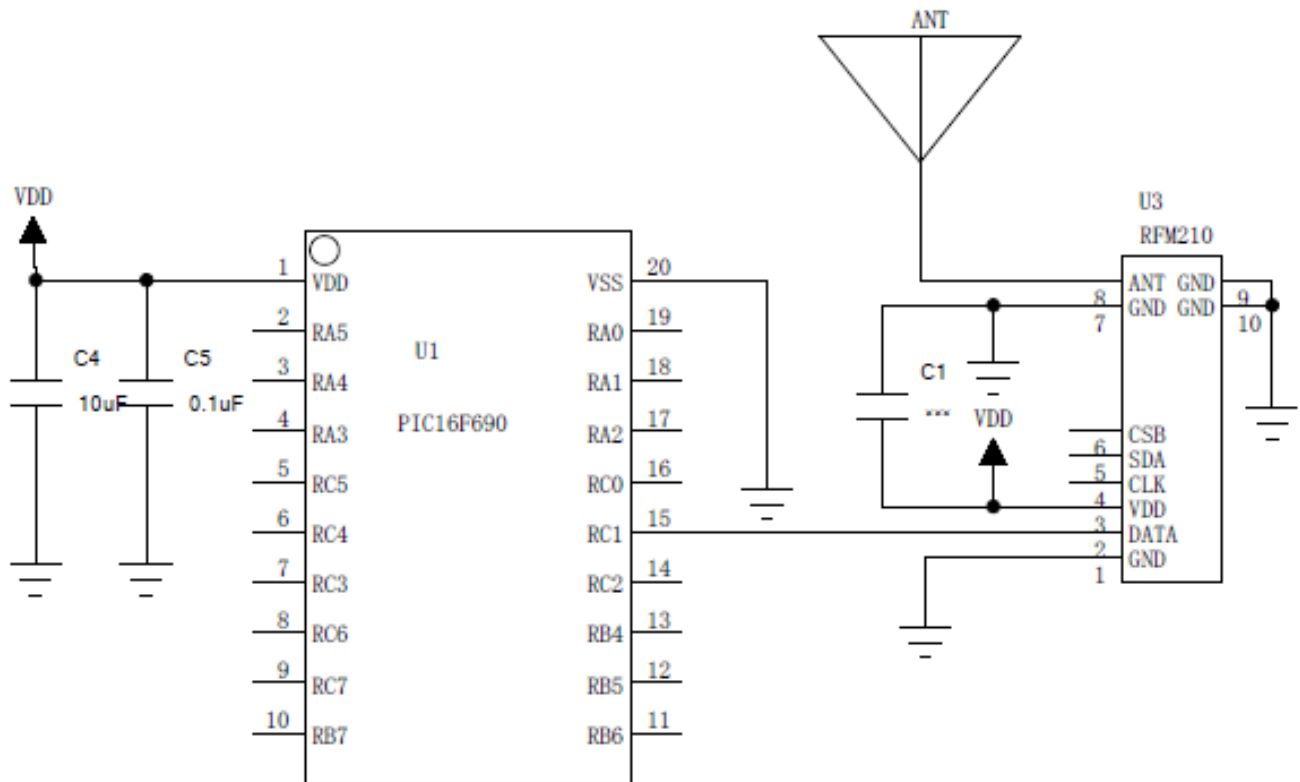
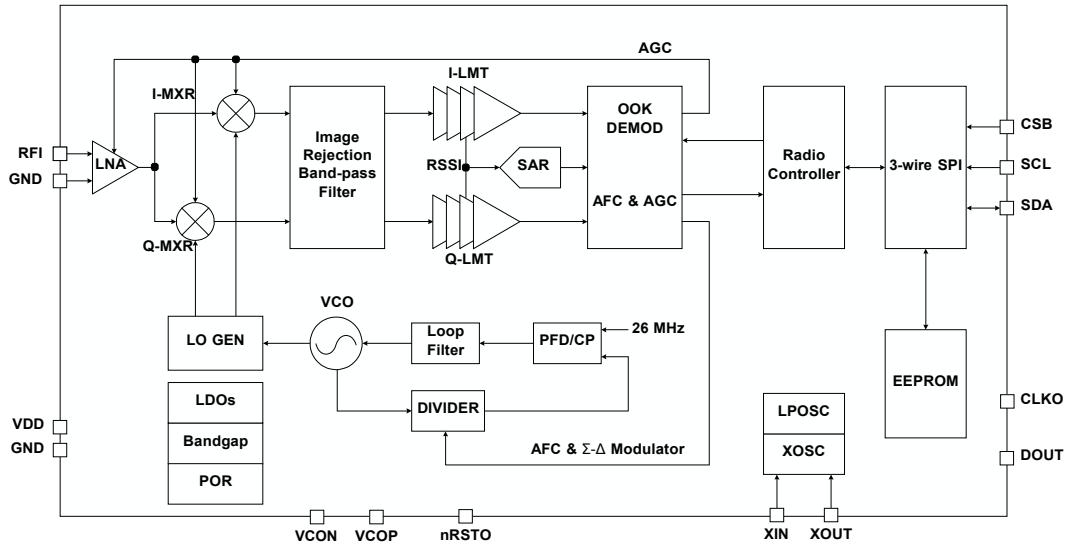


Figure 9: Typical Application Schematic

## 5. Functional Descriptions



**Figure 10. Functional Block Diagram**

### 5.1 Overview

The RFM210W/RFM217W devices are ultra low power, high performance, low-cost OOK stand-alone RF receiver for various 300 to 960 MHz wireless applications. The RFM210W covers the frequency range from 300 to 480 MHz while the RFM217W covers the 300 to 960 MHz frequency range. They are part of the CMOSTEK NextGenRF™ family, which includes a complete line of transmitters, receivers and transceivers. The chip is based on a fully integrated, low-IF receiver architecture. The low-IF architecture facilitates a very low external component count and does not suffer from powerline - induced interference problems. The synthesizer contains a VCO and a low noise fractional-N PLL with an output frequency resolution of 24.8 Hz. The VCO operates at 2x the Local Oscillator (LO) frequency to reduce spurious emissions. Every analog block is calibrated on each Power-on Reset (POR) to the internal reference voltage. The calibration helps the device to finely work under different temperatures and supply voltages. The baseband filtering and demodulation is done by the digital demodulator. The demodulated signal is output to the external MCU via the DOUT pin. No external MCU control is needed in the applications.

The 3-wire SPI interface is only used for configuring the device. The configuration can be done with the RFPDK and the USB Programmer. The RF Frequency, symbol rate and other product features are all configurable. This saves the cost and simplifies the design, development and manufacture. Alternatively, in stock products of 433.92/868.35 MHz are available for immediate demands with no need of EEPROM programming. The RFM210W/RFM217W operates from 1.8 to 3.6 V so that it can finely work with most batteries to their useful power limits. The receive current is only 3.8 mA at 433.92 MHz and 5.2 mA at 868.35 MHz. The RFM210W/RFM217W receiver together with the CMT211x transmitter enables an ultra low cost RF link.

### 5.2 Modulation, Frequency and Symbol Rate

The RFM210W/RFM217W supports OOK demodulation with the symbol rate from 0.1 to 40 ksp/s. The RFM210W continuously covers the frequency range from 300 to 480 MHz, including the license free ISM frequency band around 315 MHz and 433.92 MHz. And the RFM217W covers the frequency range from 300 MHz to 960 MHz, including the license free ISM frequency band around 315 MHz, 433.92 MHz, 868.35 MHz and 915 MHz. The internal frequency synthesizer contains a high-purity VCO and a low noise fractional-N PLL with an output frequency resolution of 24.8 Hz. See the table below for the demodulation, frequency and symbol rate information.



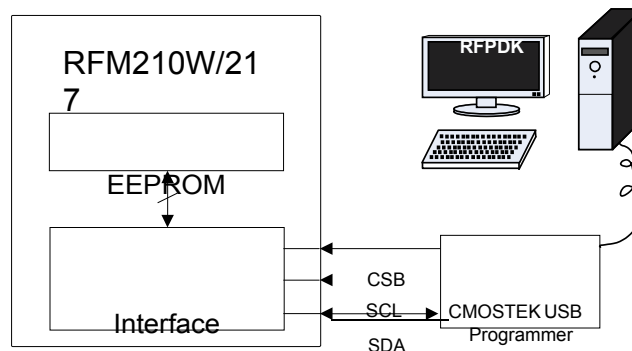
**Table 10. Modulation, Frequency and Symbol Rate**

Parameter	Value	Unit
Demodulation	OOK	-
Frequency (RFM210W)	300 to 480	MHz
Frequency (RFM217W)	300 to 960	MHz
Frequency Resolution	24.8	Hz
Symbol Rate	0.1 to 40	ksps

### 5.3 Embedded EEPROM and RFPDK

The RFPDK is a PC application developed to help the user to configure the CMOSTEK NextGenRF™ products in the most intuitional way. The user only needs to connect the USB Programmer between the PC and the device, fill in/select the proper value of each parameter on the RFPDK, and click the “Burn” button to program the configurations into the device. The configurations of the device will then remain unchanged until the next programming. No external MCU control is required in the application program.

The RFPDK also allows the user to save the active configuration into a list by clicking on the “List” button, so that the saved configuration can be directly reloaded from the list in the future. Furthermore, it supports exporting the configuration into a hexadecimal file by clicking on the “Export” button. This file can be used to burn the same configuration into a large amount of devices during the mass production. See the figure below for the accessing of the EEPROM.



**Figure 11. Accessing Embedded EEPROM**

For more details of the CMOSTEK USB Programmer and the RFPDK, please refer to “AN103 CMT211xA-221xA One-Way RF Link Development Kits Users Guide”.

### 5.4 All Configurable Options

Beside the demodulation, frequency and symbol rate, more options can be used to customize the device. The following is a table of all the configurable options. On the RFPDK, the Basic Mode only contains a few options allowing the user to perform easy and fast configurations. The Advanced Mode shows all the options that allow the user to customize the device in a deeper level. The options in “Basic Mode” are a subset of that in the “Advanced Mode”.

**Table 11. Configurable Parameters in RFPDK**

Category	Parameters	Descriptions	Default	Mode
RF Settings	Frequency (RFM210W)	The receive radio frequency, the range is from 300 to 480 MHz, with resolution of 0.001 MHz.	433.920 MHz	Basic Advanced
	Frequency (RFM217W)	The receive radio frequency, the range is from 300 to 960 MHz, with resolution of 0.001 MHz.	868.350 MHz	Basic Advanced
	Demodulation	The demodulation type, only OOK demodulation is supported in this product.	OOK	Basic Advanced
	Symbol Rate	The receiver symbol rate, the range is from 0.1 to 40 ksp/s, with resolution of 0.1 ksp/s.	2.4 ksp/s	Basic Advanced
	Squelch TH (RFM210W/RFM217W)	The threshold of the squelch circuit to suppress the noise, the range is from 0 to 255.	54 / 40	Basic Advanced
	Xtal Tol.   Rx BW (RFM210W/RFM217W)	The sum of the crystal frequency tolerance of the Tx and the Rx, the range is from 0 to ±300 ppm. And the calculated BW is configured and displayed.	±150 ppm   200 kHz / ±40 ppm   100 kHz	Basic Advanced
	Xtal Stabilizing Time	Time for the device to wait for the crystal to get settled after power up. The options are: 78, 155, 310, 620, 1240 or 2480 us.	310 us	Basic Advanced
Operation Settings	Duty-Cycle Mode	Turn on/off the duty-cycle receive mode, the options are: on or off.	On	Basic Advanced
	Sleep Time	The sleep time in duty-cycle receive mode, the range is from 3 to 134,152,192 ms.	3 ms	Basic Advanced
	Rx Time	The receive time in duty-cycle receive mode, the range is from 0.04 to 2,683,043.00 ms.	2,000 ms	Basic Advanced
	Rx Time Ext	The extended receive time in duty-cycle receive mode, the range is from 0.04 to 2,683,043.00 ms. It is only available when WOR is on.	200.00 ms	Advanced
	Wake-On Radio	Turn on/off the wake-on radio function, the options are: on or off.	Off	Advanced
	Wake-On Condition	The condition to wake on the radio. The options are: Extended by Preamble, or Extended by RSSI. It is only available when WOR is on.	Extended by Preamble	Advanced
	System Clock Output	Turn on/off the system clock output on CLKO, the options are: on or off.	Off	Advanced
	System Clock Frequency	The system clock output frequency, the options are: 13.000, 6.500, 4.333, 3.250, 2.600, 2.167, 1.857, 1.625, 1.444, 1.300, 1.182, 1.083, 1.000, 0.929, 0.867, 0.813, 0.765, 0.722, 0.684, 0.650, 0.619, 0.591, 0.565, 0.542, 0.520, 0.500, 0.481, 0.464, 0.448, 0.433, 0.419 or 0.406 MHz. It is only available when System Clock Output is on.	6.5 MHz	Advanced
OOK Settings	Demod Method	The OOK demodulation methods, the options are: Peak TH, or Fixed TH	Peak TH	Advanced
	Fixed Demod TH (RFM210W/RFM217W)	The threshold value when the Demod Method is "Fixed TH", the minimum input value is the value of Squelch Threshold set on the RFPDK, the maximum value is 255.	60 / 50	Advanced

Category	Parameters	Descriptions	Default	Mode
	Peak Drop	Turn on/off the RSSI peak drop function, the options are on, or off.	On	Advanced
	Peak Drop Step	The RSSI peak drop step, the options are: 1, 2, 3, 5, 6, 9, 12 or 15.	1	Advanced
	Peak Drop Rate	The RSSI peak drop rate, the options are: 1 step/4 symbols, 1 step/2 symbols, 1 step /1 symbol, or 1 step/0.5 symbol.	1 step / 4 symbols	Advanced
	AGC	Automatic Gain Control, the options are: on or off.	On	Advanced
Decode Settings	Preamble	The size of the valid preamble, the options are: 1-byte, 2-byte, 3-byte, or 4-byte. It is only available when WOR is on.	2-byte	Advanced

## 5.5 Internal Blocks Description

### 5.5.1 RF Front-end and AGC

The RFM210W/RFM217W features a low-IF receiver. The RF front-end of the receiver consists of a Low Noise Amplifier (LNA), I/Q mixer and a wide-band power detector. Only a low-cost inductor and a capacitor are required for matching the LNA to any common used antennas. The input RF signal induced on the antenna is amplified and down-converted to the IF frequency for further processing.

By means of the wide-band power detector and the attenuation networks built around the LNA, the Automatic Gain Control (AGC) loop regulates the RF front-end's gain to get the best system linearity, selectivity and sensitivity performance, even though the receiver suffers from strong out-of-band interference.

### 5.5.2 IF Filter

The signals coming from the RF front-end are filtered by the fully integrated 3<sup>rd</sup>-order band-pass image rejection IF filter which achieves over 35 dB image rejection ratio typically. The IF center frequency is dynamically adjusted to enable the IF filter to locate to the right frequency band, thus the receiver sensitivity and out-of-band interference attenuation performance are kept optimal despite the manufacturing process tolerances. The IF bandwidth is automatically computed according to the three basic system parameters input from the RFPDK: RF frequency, Xtal tolerance, and symbol rate.

### 5.5.3 RSSI

The subsequent multistage I/Q Log amplifiers enhance the output signal from IF filter before it is fed for demodulation. Receive Signal Strength Indicator (RSSI) generators are included in both Log amplifiers which produce DC voltages that are directly proportional to the input signal level in both of I and Q path. The resulting RSSI is a sum of both these two paths. Extending from the nominal sensitivity level, the RSSI achieves over 66 dB dynamic range.

The RFM210W/RFM217W integrates a patented DC-offset cancellation engine. The receiver sensitivity performance benefits a lot from the novel, fast and accurate DC-offset removal implementation.

### 5.5.4 SAR ADC

The on-chip 8-bit SAR ADC digitalizes the RSSI for OOK demodulation.

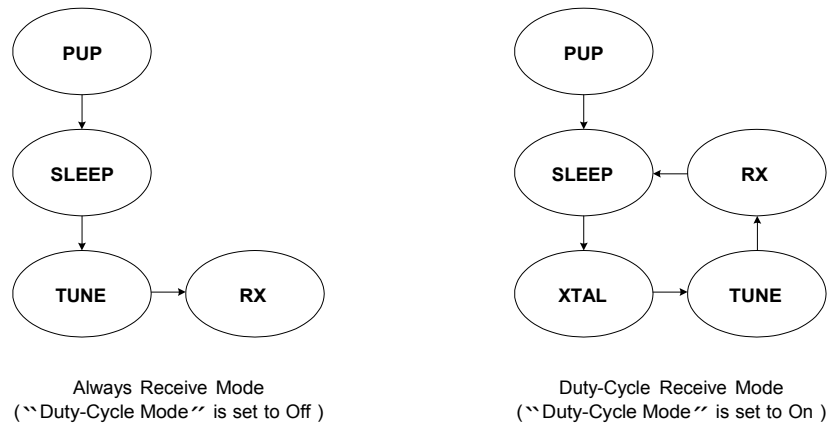
### 5.5.6 LPOSC

An internal 1 kHz low power oscillator is integrated in the RFM210W/RFM217W. It generates a clock to drive the sleep timer to

periodically wake the device from sleep state. The Sleep Time can be configured from 3 to 134,152,192 ms (more than 37 hours) when the device works in duty-cycle receive mode. Since the frequency of the LPOSC drifts when the temperature and supply voltage change, it is automatically calibrated during the PUP state, and is periodically calibrated since then. The calibration scheme allows the LPOSC to maintain its frequency tolerance to less than  $\pm 1\%$ .

## 5.6 Operation Mode

An option "Duty-Cycle On-Off" on the RFPDK allows the user to determine how the device behaves. The device is able to work in two operation modes, as shown in the figure below.



**Figure 12. Two different operation modes**

### Power Up (PUP) State

Once the device is powered up, the device will go through the Power Up (PUP) sequence which includes the task of releasing the Power-On Reset (POR), turning on the crystal and calibrating the internal blocks. The PUP takes about 4 ms to finish in the always receive mode, and about 9.5 ms to finish in the duty-cycle receive mode. This is because that the LPOSC and sleep timer is turned off in the always receive mode, while it must be turned on and calibrated during the PUP in the duty-cycle receive mode. The average current of the PUP sequence is about 0.9 mA.

### SLEEP State

In this state, all the internal blocks are powered down except the sleep timer. In Always Receive Mode, the sleep time is fixed at about 3 ms. In Duty-Cycle Receive Mode, the sleep time is defined by the option "Sleep Time" on the RFPDK. The sleep current is about 60 nA in the always receive mode, and about 440 nA (with LPOSC and sleep timer turned on) in the duty-cycle receive mode.

### XTAL State

The XTAL state only exists in the duty-cycle receive mode. Once the device wakes up from the SLEEP State, the crystal oscillator restarts to work. The option "XTAL Stabilizing Time" on the RFPDK defines the time for the device to wait for the crystal oscillator to settle. The current consumption in this state is about 520 uA.

### TUNE State

The device is tuned to the desired frequency defined by the option "Frequency" on the RFPDK and ready to receive. It usually takes approximately 300 us to complete the tuning sequence. The current consumption in this state is about 2 mA.

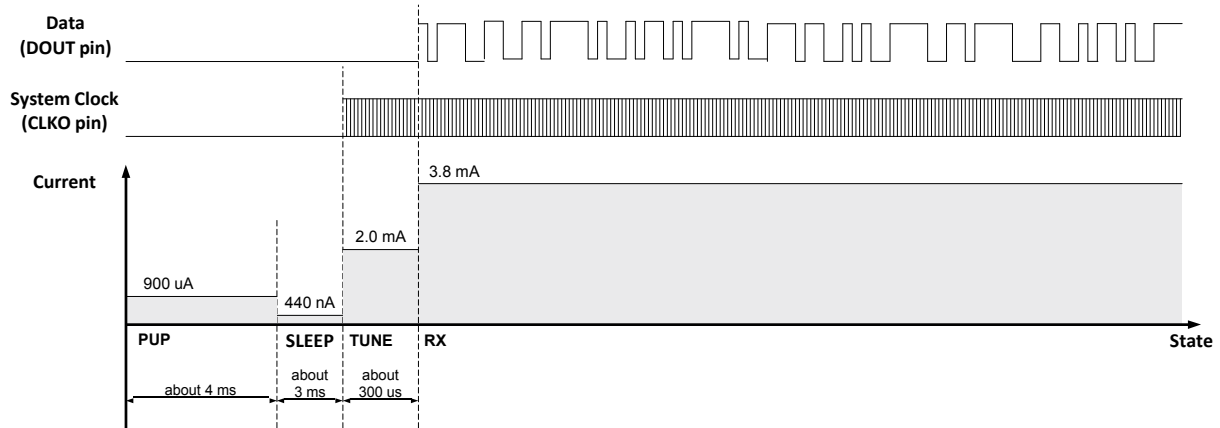
### RX State

The device receives the incoming signals and outputs the demodulated data from the DOOUT pin. In duty-cycle receive mode, the device only stays in the RX State for a certain amount of time, which is defined by the option "Rx Time" on the RFPDK. The current in this state is about 3.8 mA.

## 5.7 Always Receive Mode

If the duty-cycle receive mode is turned off, the device will go through the Power Up (PUP) sequence, stay in the SLEEP state for about 3 ms, tune the receive frequency, and finally stay in the RX state until the device is powered down. The power up sequence, which takes about 4 ms to finish, includes the task of turning on the crystal and calibrating the internal blocks. The device will continuously receive the incoming RF signals during the RX state and send out the demodulated data on the DOOUT pin. The configurable system clock is also output from the CLKO pin if it is enabled in the Advanced Mode on the RFPDK. The figure below shows the timing characteristics and current consumption of the device from the PUP to RX.

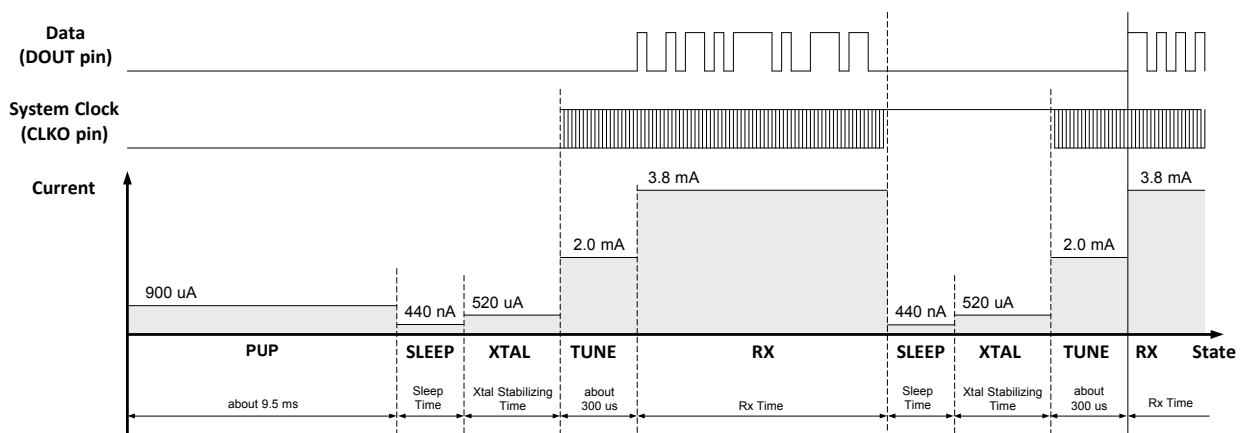




**Figure 13. Timing and Current Consumption for Always Receive Mode**

### 5.8 Duty-Cycle Receive Mode

If the duty-cycle mode is turned on, after the PUP the device will automatically repeat the sequence of SLEEP, XTAL, TUNE and RX until the device is powered down. This allows the device to re-tune the synthesizer regularly to adapt to the changeable environment and therefore remain its highest performance. The device will continuously receive any incoming signals during the RX state and send out the demodulated data on the DOUT pin. The configurable system clock output is output from the CLKO pin during the TUNE and RX state. The PUP sequence consumes about 9.5 ms which is longer than the 4 ms in the Always Receive Mode. This is because the LPOSC, which drives the sleep timer, must be calibrated during the PUP.



**Figure 14. Timing and Current Consumption for Duty-Cycle Receive Mode**

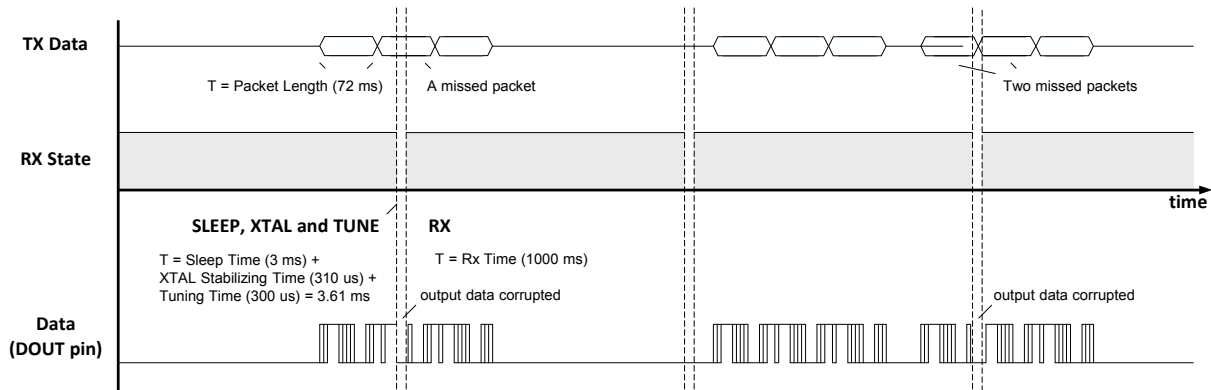
It is strongly recommended for the user to turn on the duty-cycle receive mode option. The advantages are:

- Maintaining the highest performance of the device by regular frequency re-tune.
- Increasing the system stability by regular sleep (resetting most of the blocks).
- Saving power consumptions of both of the Tx and Rx device.

As long as the Sleep Time and Rx Time are properly configured, the transmitted data can always be captured by the device.

### 5.9 Easy Duty-Cycle Configurations

When the user wants to take the advantage of maintaining the highest system stability and performance, and the power consumption is not the first concern in the system, the Easy Configuration can be used to let the device to work in the duty-cycle mode without complex calculations, the following is a good example:



**Figure 15. Tx and Rx relationship of Easy Configuration**

In this example, the Tx device transmits the data at 1.2 kbps and there are 60 symbols in one data packet. Thus, the packet length is 50 ms. The user can do the following:

- Set the Sleep Time to the minimum value of 3 ms.
- Set the Rx Time to 1 second which is much longer than the packet length.
- Let the Tx device to send out 3 continuous data packets in each transmission.

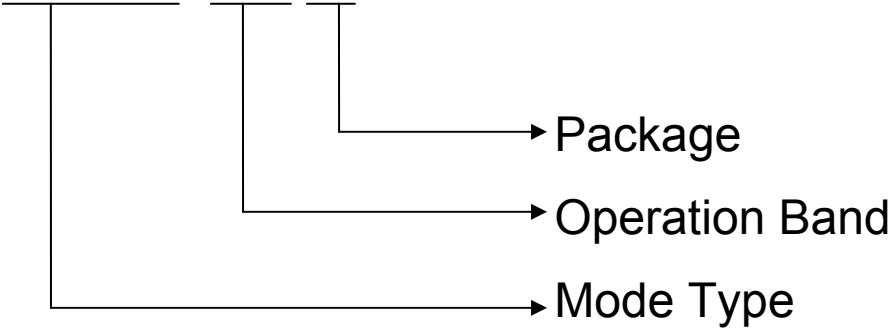
Because the Sleep Time is very short, the non-receive time is only about 3.61 ms (the sum of the Sleep Time, XTAL stabilizing time and the tuning time), which is much shorter than the packet length of 50 ms. Therefore, this non-receive time period will only have a change to corrupt no more than 2 packets receiving. During the non-receive time period, the DOUT pin will output logic 0.

Because the Rx Time is very long, and 3 continuous data packets are sent in each transmission, there is at least 1 packet that can be completely received by the device and sent out via the DOUT pin with no corruption. The external MCU will only need to observe the DOUT pin status to perform data capturing and further data processing.

If the system power consumption is a sensitive and important factor in the application, the Precise Configuration can be used. Also, based on the duty-cycle receive mode, the “Wake-On Radio” technique allows the device to even save more power. For the precise duty-cycle configurations and the use of wake-on radio, please refer to the “AN108 RFM210W/RFM217W Configuration Guideline”.

## 6. Ordering Information

RFM210W-433 S1



**P/N: RFM210W-315S1**

**RFM210W module at 315MHz band,SMD Package**

**P/N: RFM210W-433S1**

**RFM210W module at 433MHz band,SMD Package**

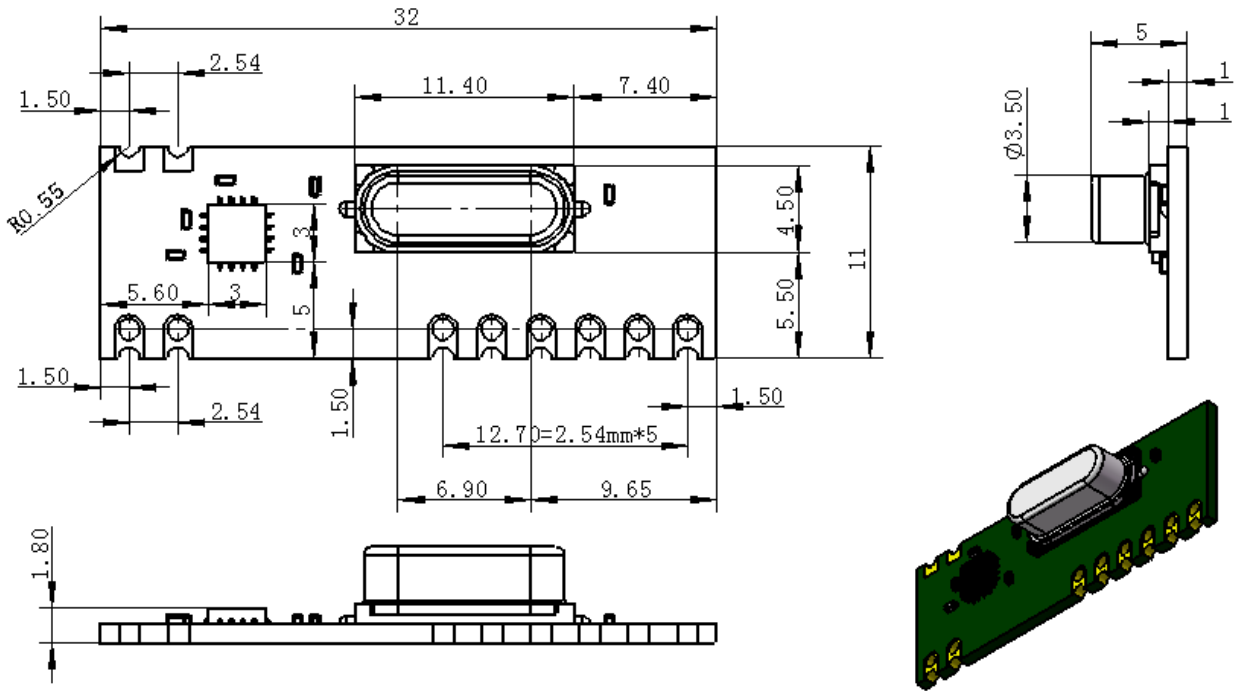
**P/N: RFM217W-868S1**

**RFM217W module at 868MHz band,SMD Package**

**P/N: RFM217W-915S1**

**RFM217W module at 915MHz band,SMD Package**

**7. Package Outline**



**Figure 13** S1 Package Outline Drawi

## 8. Contact Information

**HOPE MICROELECTRONICS CO.,LTD**

Add: 2/F, Building 3, Pingshan Private Enterprise Science and Technology Park, Lishan Road, XiLi Town, Nanshan District, Shenzhen, Guangdong, China

Tel: 86-755-82973805

Fax: 86-755-82973550

Email: [sales@hoperf.com](mailto:sales@hoperf.com)

Website: <http://www.hoperf.com>

<http://www.hoperf.cn>

**HOPE MICROELECTRONICS CO.,LTD**

Add: 2/F, Building 3, Pingshan Private Enterprise Science and Technology Park, Lishan Road, XiLi Town, Nanshan District, Shenzhen, Guangdong, China

Tel: 86-755-82973805

Fax: 86-755-82973550

Email: [sales@hoperf.com](mailto:sales@hoperf.com)

Website: <http://www.hoperf.com>

<http://www.hoperf.cn>

This document may contain preliminary information and is subject to change by Hope Microelectronics without notice. Hope Microelectronics assumes no responsibility or liability for any use of the information contained herein. Nothing in this document shall operate as an express or implied license or indemnity under the intellectual property rights of Hope Microelectronics or third parties. The products described in this document are not intended for use in implantation or other direct life support applications where malfunction may result in the direct physical harm or injury to persons. NO WARRANTIES OF ANY KIND, INCLUDING, BUT NOT LIMITED TO, THE IMPLIED WARRANTIES OF MERCHANTABILITY OR FITNESS FOR A PARTICULAR PURPOSE, ARE OFFERED IN THIS DOCUMENT.

©2006, HOPE MICROELECTRONICS CO.,LTD. All rights reserved.